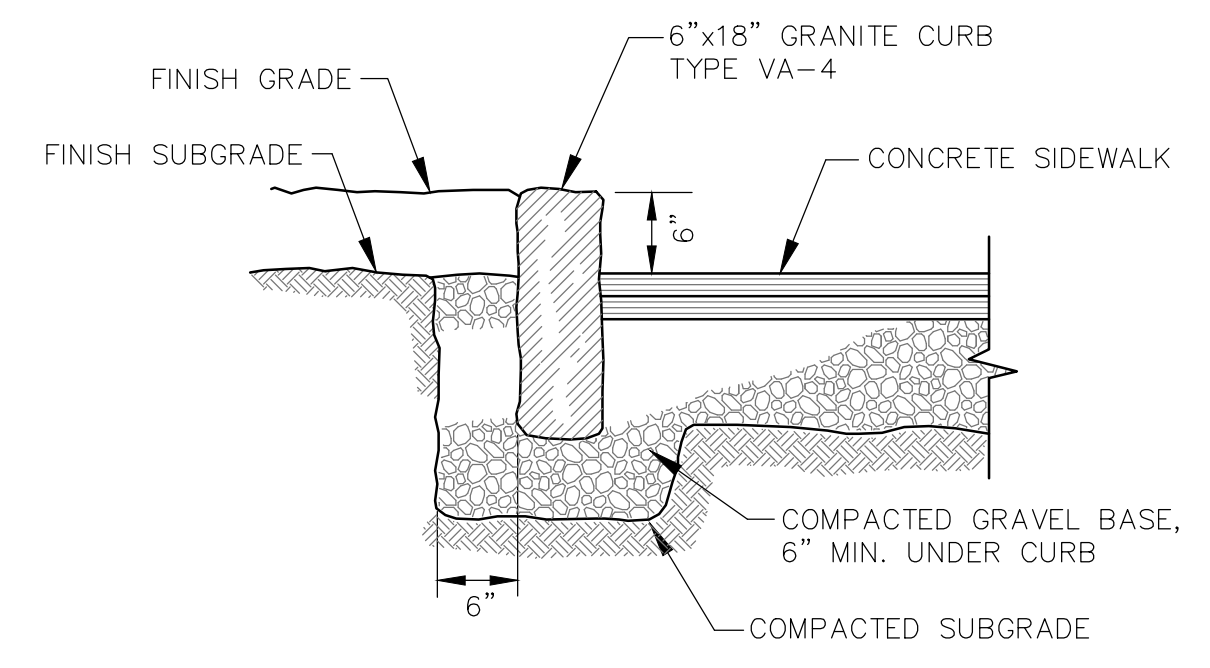
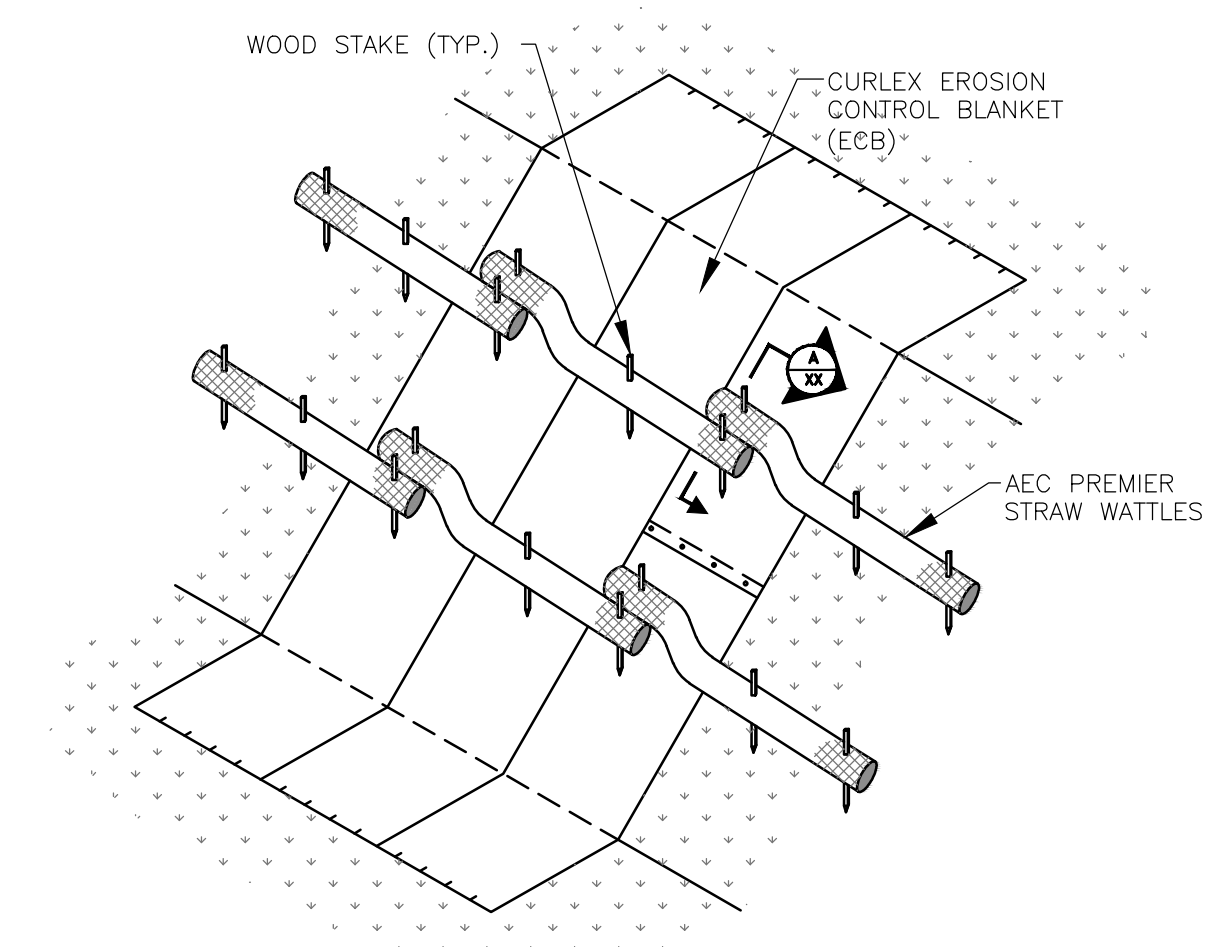


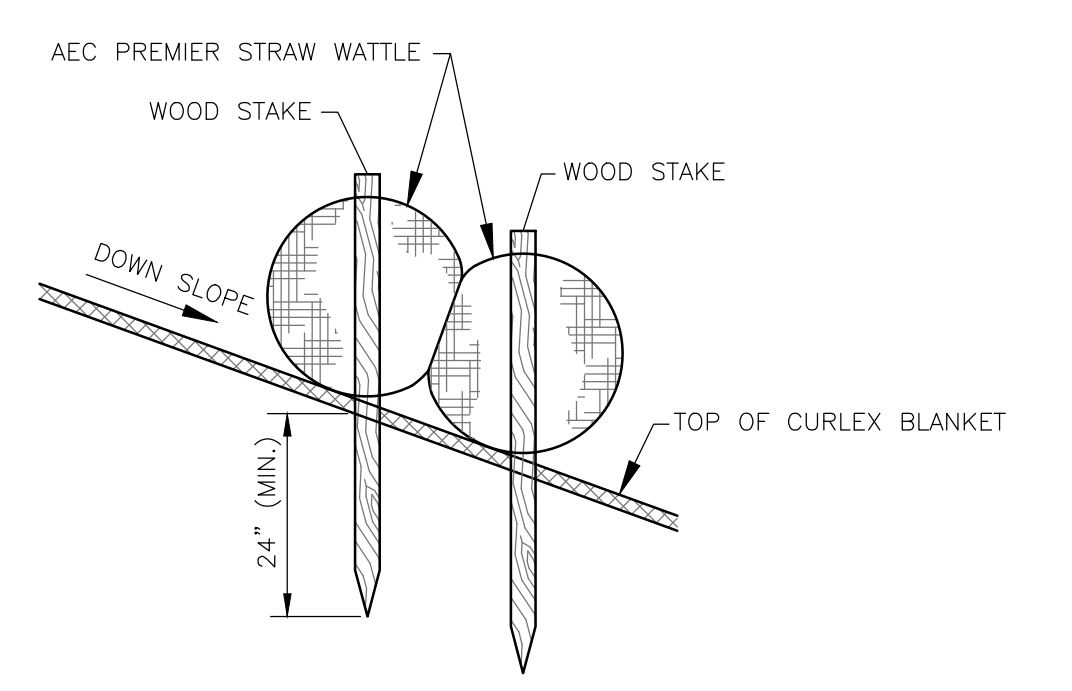
CEMENT CONCRETE DRIVEWAY APRON
N.T.S.



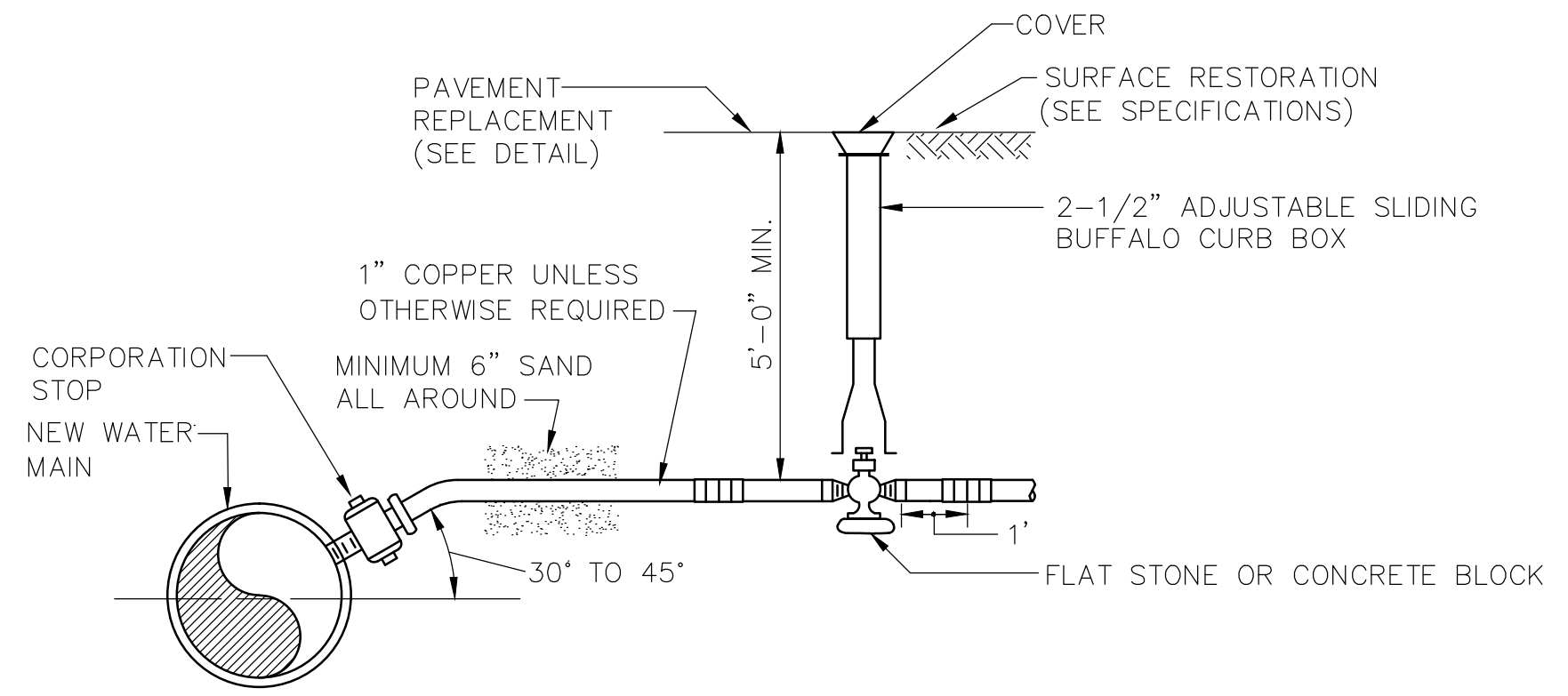
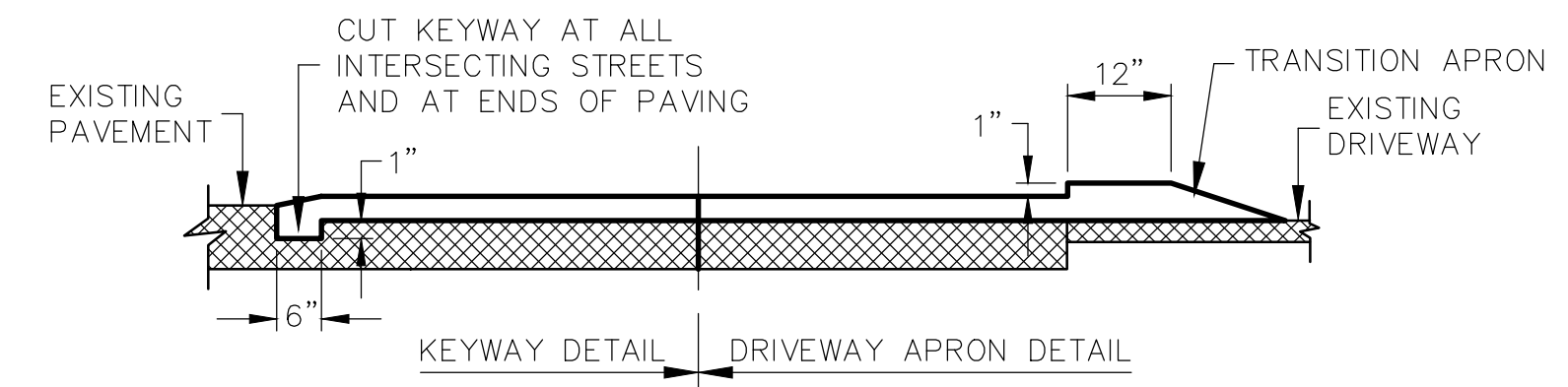
TYPICAL VERTICAL GRANITE CURB DETAIL
N.T.S.



SLOPE DETAIL
N.T.S.

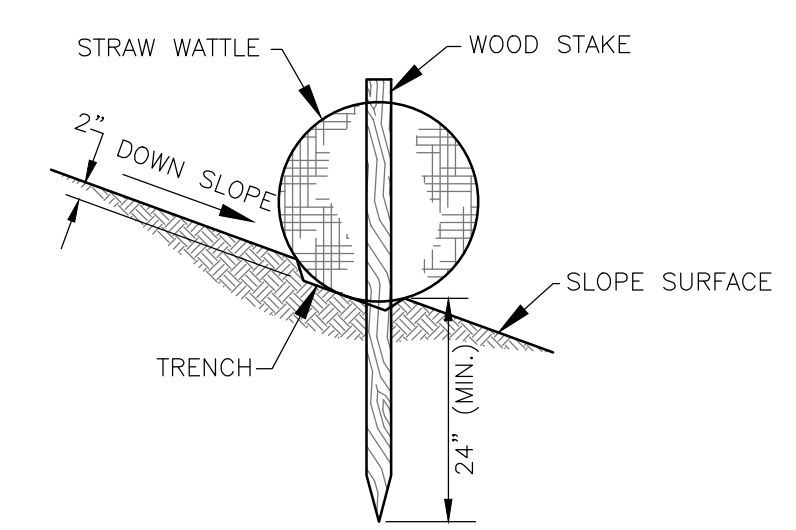


STAKE DETAIL SECTION
N.T.S.

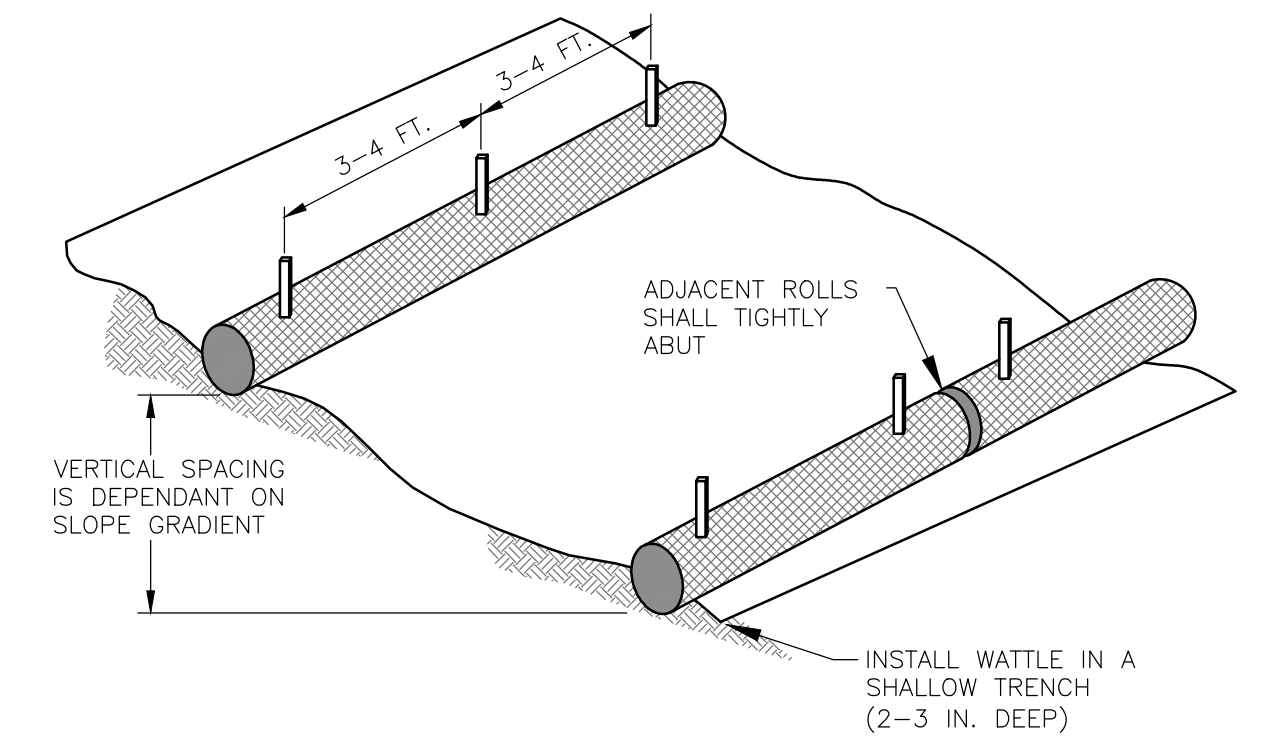


NOTE: PROVIDE SADDLE FOR 2" OR LARGER STOPS. ALL WATERWORKS BRASS SHALL BE OF THE LEAD-FREE VARIETY.

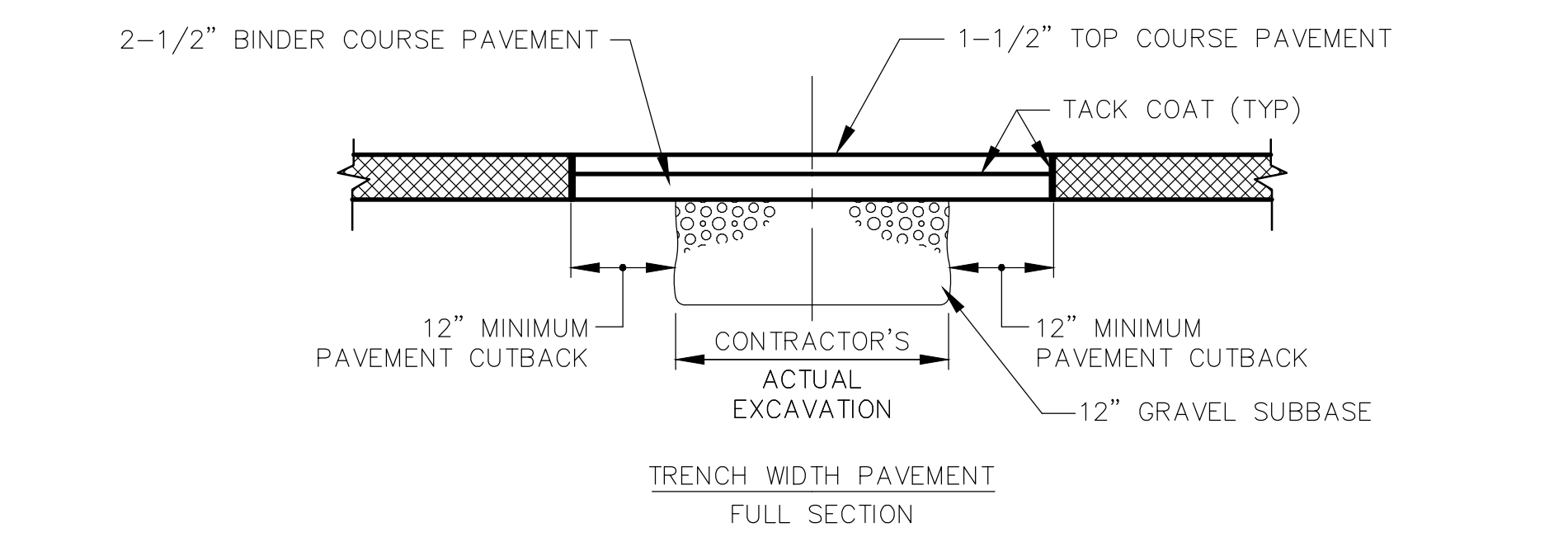
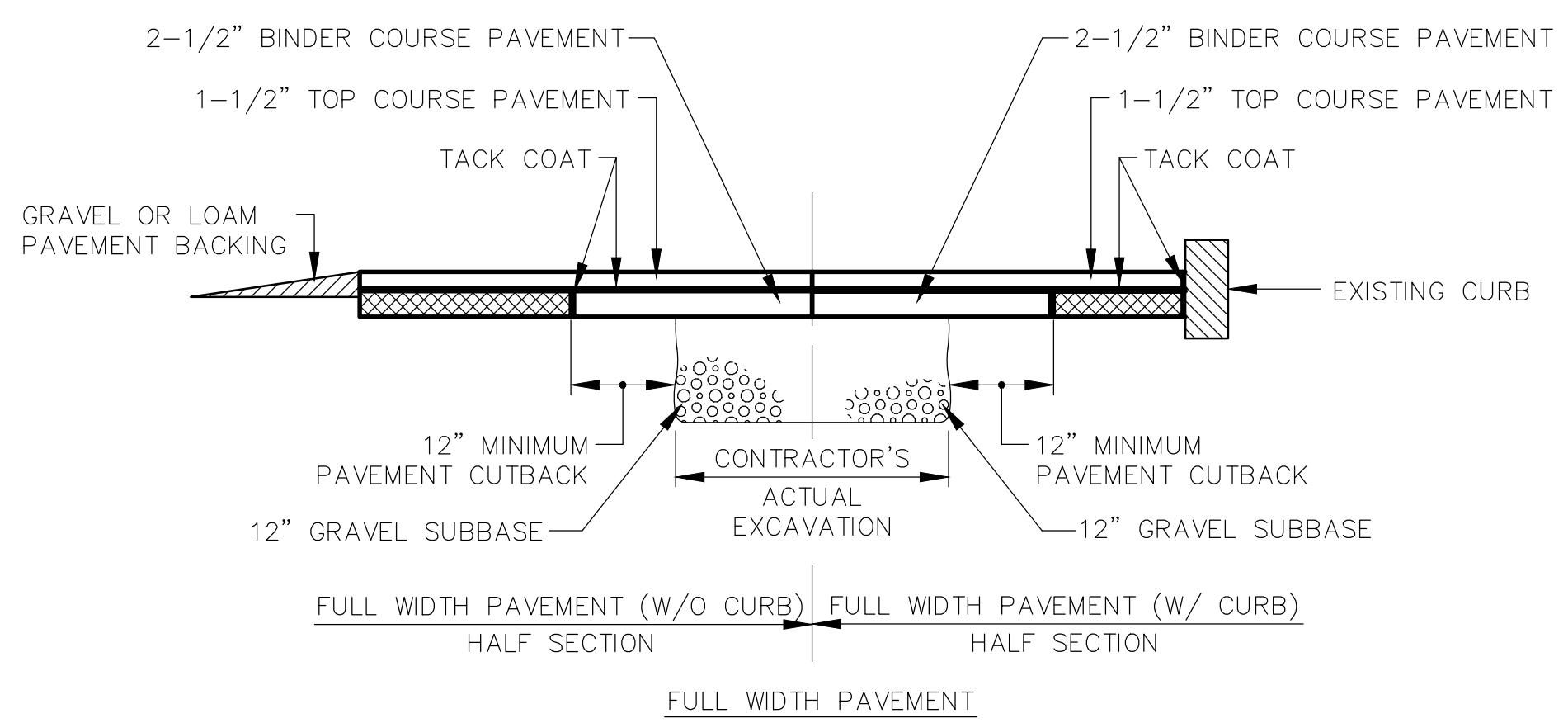
WATER SERVICE DETAIL
N.T.S.



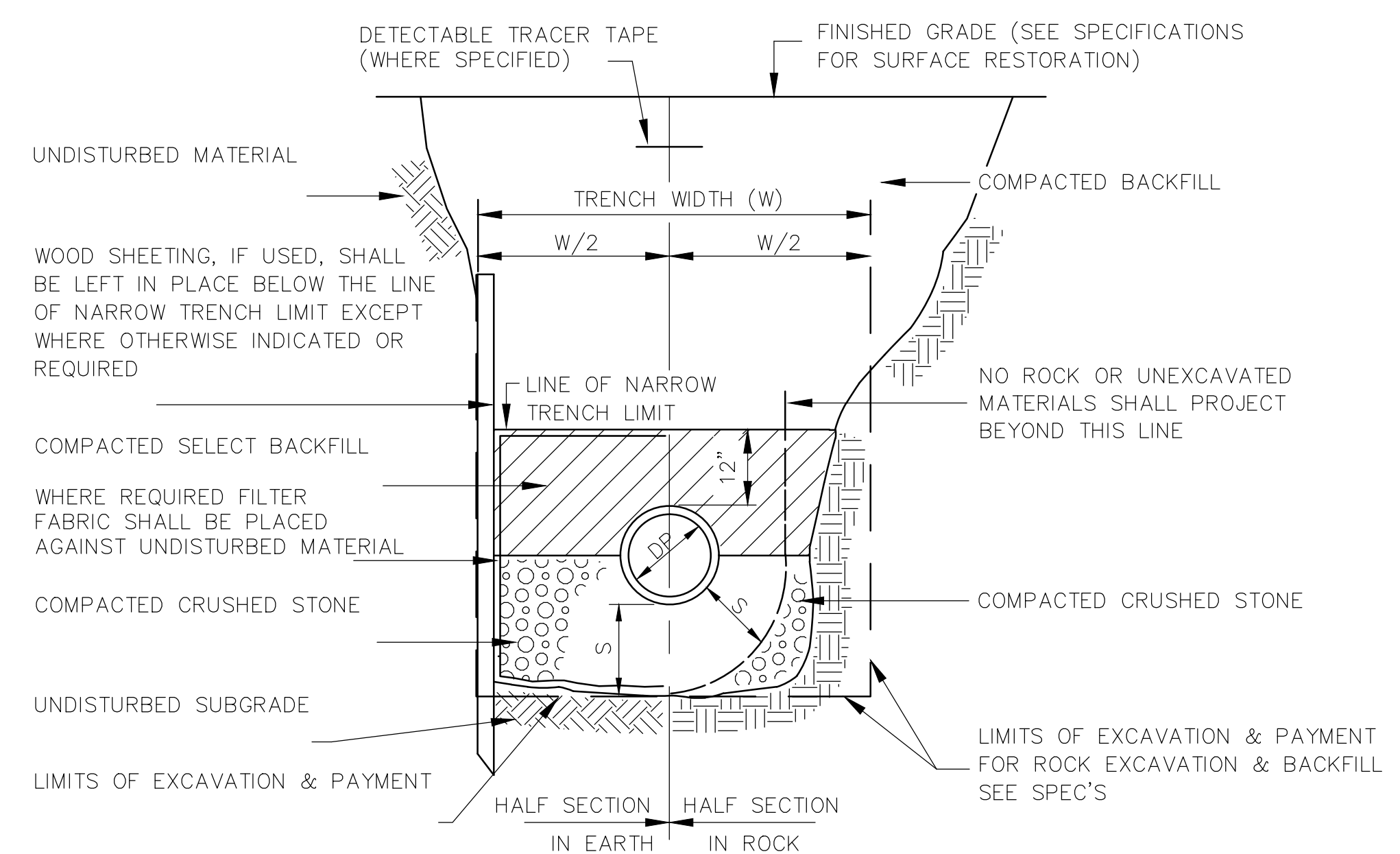
STAKE DETAIL (ON BARE SOIL)
N.T.S.



STRAW WATTLE INSTALLATION GUIDE
N.T.S.



PAVEMENT REPLACEMENT DETAILS
N.T.S.

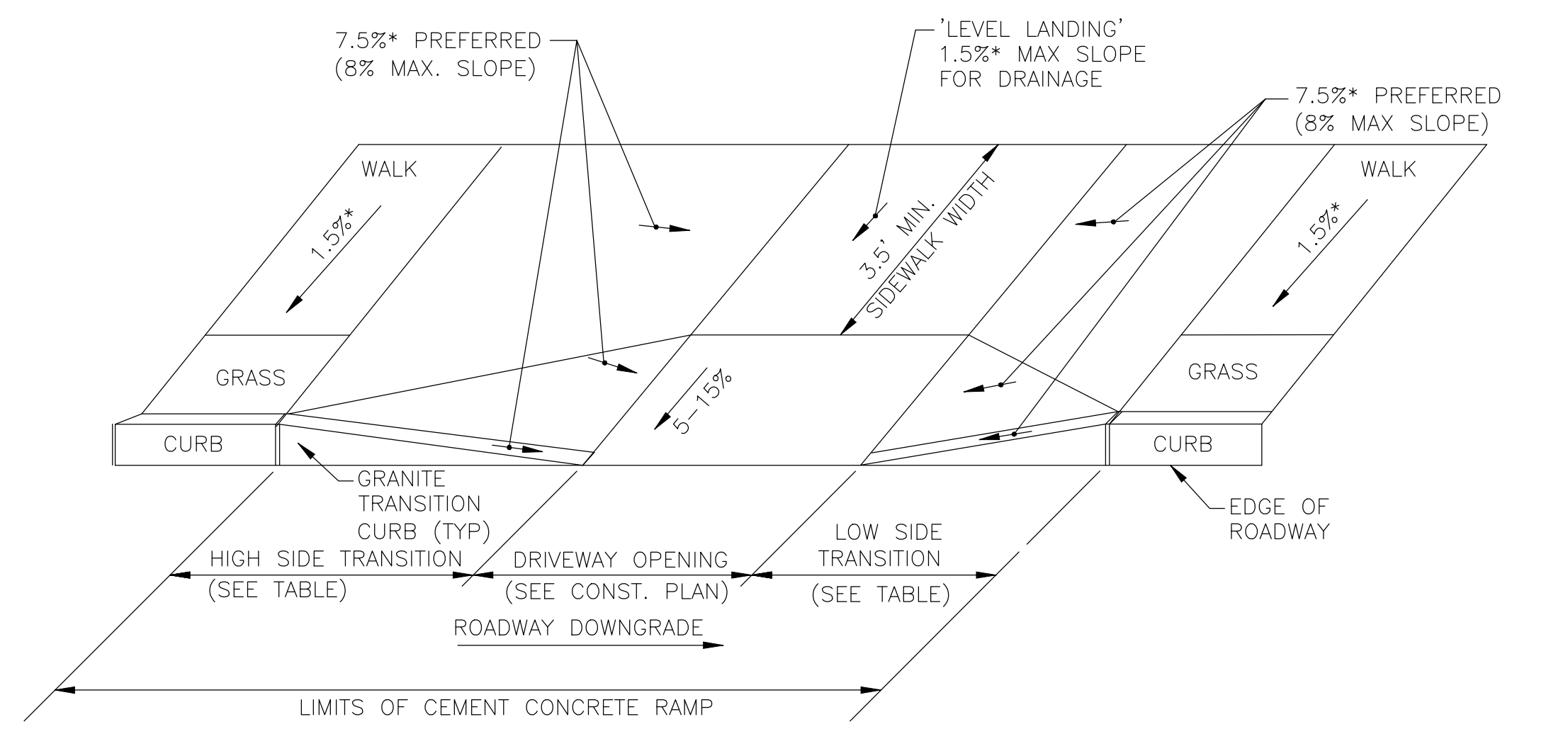


TRENCH DETAIL
(SEWER, FORCE MAIN, STORM DRAIN)
N.T.S.

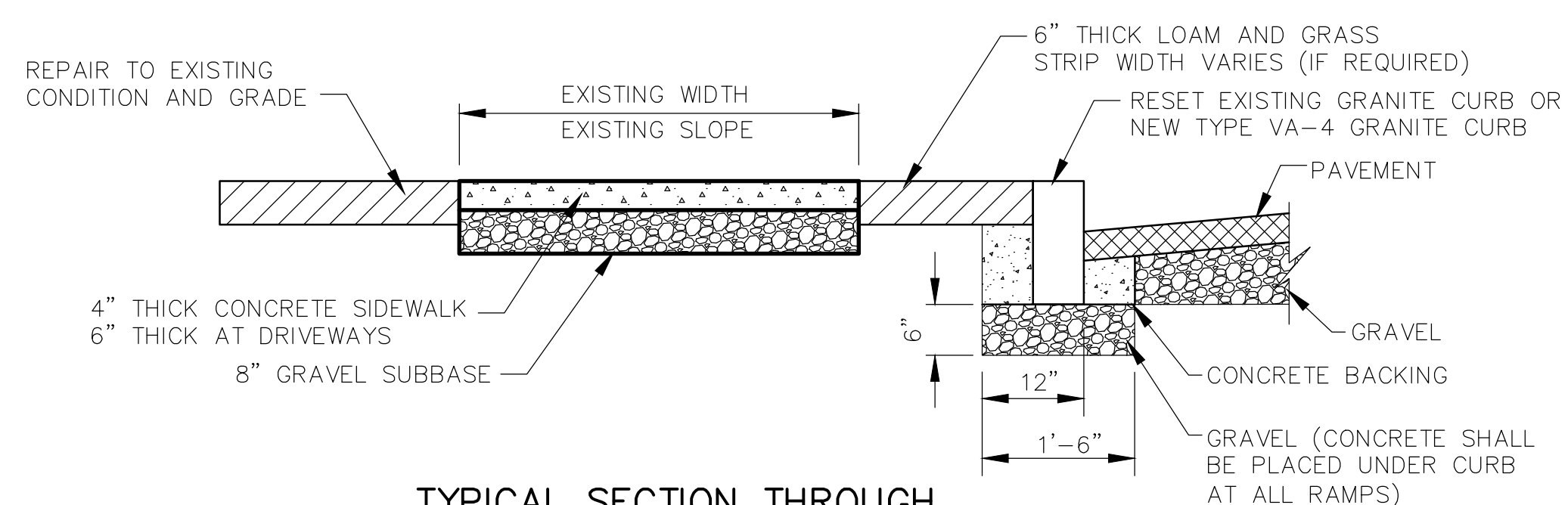
DEPTH TO INVERT	DIAMETER OF PIPE (DP)	MAXIMUM TRENCH WIDTH BELOW LINE OF NARROW TRENCH LIMIT (SHEETED OR UNSHEETED) (W)	MINIMUM CLEARANCE (S)
0-12'	TO 18"	5'	6"
0-12'	21"-24"	5'	7-1/2"
OVER 12'	TO 18"	7'	6"
OVER 12'	21"-24"	7'	7-1/2"

TABLE A
(TRENCH DETAIL CLEARANCES)

- NOTES:
- BEGIN AT THE LOCATION WHERE THE WATTLE IS TO BE INSTALLED BY EXCAVATING A 2-3" DEEP X 9" WIDE TRENCH ALONG THE CONTOUR OF THE SLOPE. EXCAVATED SOIL SHOULD BE PLACED UP-SLOPE FROM THE ANCHOR TRENCH.
 - PLACE THE WATTLE IN THE TRENCH SO THAT IT CONTOURS TO THE SOIL SURFACE. COMPACT SOIL FROM THE EXCAVATED TRENCH AGAINST THE WATTLE ON THE UPHILL SIDE. ADJACENT WATTLES SHOULD TIGHTLY ABUT.
 - SECURE THE WATTLE WITH 18-24" STAKES EVERY 3-4" AND WITH A STAKE ON EACH END. STAKES SHOULD BE DRIVEN THROUGH THE MIDDLE OF THE WATTLE LEAVING AT LEAST 2-3" OF STAKE EXTENDING ABOVE THE WATTLE. STAKES SHOULD BE DRIVEN PERPENDICULAR TO SLOPE FACE.



TYPICAL CEMENT CONCRETE DRIVEWAY ENTRANCE
N.T.S.



TYPICAL SECTION THROUGH CONCRETE SIDEWALK AND CURB
N.T.S.